



INSTRUCTION MANUAL

VHF TRANSCEIVER

IC-F510

UHF TRANSCEIVER

IC-F610



Icom Inc.


IMPORTANT

READ ALL INSTRUCTIONS carefully and completely before using the transceiver.

SAVE THIS INSTRUCTION MANUAL — This instruction manual contains important operating instructions for the **IC-F510 VHF TRANSCEIVER AND IC-F610 UHF TRANSCEIVER**.

EXPLICIT DEFINITIONS

WORD	DEFINITION
⚠ WARNING	Personal injury, fire hazard or electric shock may occur.
CAUTION	Equipment damage may occur.
NOTE	If disregarded, inconvenience only. No risk of personal injury, fire or electric shock.

Icom, Icom Inc. and the  logo are registered trademarks of Icom Incorporated (Japan) in the United States, the United Kingdom, Germany, France, Spain, Russia and/or other countries.

SmarTrunk II™ is a Trademark of SmarTrunk Systems, Inc.

CAUTIONS

⚠ WARNING! NEVER connect the transceiver to an AC outlet. This may pose a fire hazard or result in an electric shock.

NEVER connect the transceiver to a power source of more than 16 V DC such as a 24 V battery. This connection will ruin the transceiver.

NEVER cut the DC power cable between the DC plug and fuse holder. If an incorrect connection is made after cutting, the transceiver might be damaged.

NEVER place the transceiver where normal operation of the vehicle may be hindered or where it could cause bodily injury.

NEVER allow children to touch the transceiver.

NEVER expose the transceiver to rain, snow or any liquids.

USE supplied microphone only. Other microphones have different pin assignments and may damage the transceiver.

DO NOT use or place the transceiver in areas with tem-

TABLE OF CONTENTS

peratures below -25°C or above $+55^{\circ}\text{C}$ or, in areas subject to direct sunlight, such as the dashboard.

AVOID operating the transceiver without running the vehicle's engine. The vehicle's battery will quickly run out if the transceiver is in transmission while the vehicle's engine OFF.

AVOID placing the transceiver in excessively dusty environments.

AVOID placing the transceiver against walls. This will obstruct heat dissipation.

AVOID the use of chemical agents such as benzene or alcohol when cleaning, as they damage the transceiver surfaces.

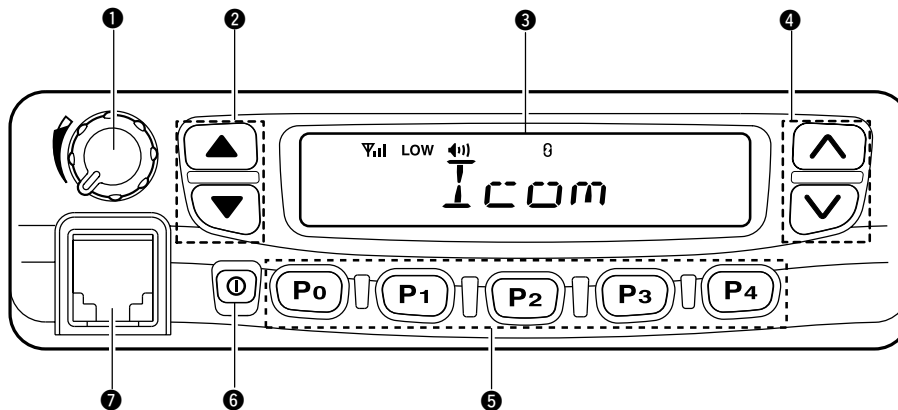
BE CAREFUL! The transceiver will become hot when operating continuously for long periods.

IMPORTANT	i
EXPLICIT DEFINITIONS	i
CAUTIONS	i
TABLE OF CONTENTS	ii
1 PANEL DESCRIPTION	1-6
■ Front panel	1
■ Function display	2
■ Programmable function keys	3
2 OPERATION	7-10
■ Turning power ON	7
■ Channel selection	7
■ Receiving and transmitting	8
◇ Transmitting notes	8
◇ Tx code channel selection	9
◇ Tx code number selection	9
◇ DTMF transmission	9
◇ Scrambler function	9
◇ User set mode	10
3 OPTIONAL SmarTrunk II™ OPERATION	11-12
■ SmarTrunk II™ and conventional modes	11
■ SmarTrunk II™ operation	11
4 CONNECTION AND MAINTENANCE	13-18
■ Rear panel and connection	13
■ Supplied Accessories	14
■ Mounting the transceiver	15
◇ Inverting the Front panel	15
◇ Mounting the Transceiver	16
■ Optional UT-105/UT-108 installation	17
■ Optional UT-109/UT-110 installation	17
■ Optional OPC-617 installation	18
■ Antenna	18
■ Fuse replacement	18
■ Cleaning	18
5 OPTIONS	19
DOC	

1

PANEL DESCRIPTION

■ Front panel



① AF VOLUME CONTROL KNOB

- ➔ Rotate the knob to adjust the audio output level.
 - Minimum audio level is pre-programmed.

② LEFT UP/DOWN [▲]/[▼] KEYS

- ➔ One of several functions can be programmed by your Dealer. (Same as [P0] to [P4] keys)

③ FUNCTION DISPLAY

- ➔ Displays variety of information, such as an operating channel number/name, 5-tone code, DTMF numbers and audible condition, etc.

NOTE: The above functions depend on pre-programming.

④ RIGHT UP/DOWN [^]/[v] KEYS

- ➔ Push to select the operating channel.
- ➔ Can be programmed for one of several functions by your Dealer. (Same as [P0] to [P4] keys)

5 DEALER-PROGRAMMABLE KEYS [P0] to [P4]

➔Desired functions can be programmed independently by your Dealer.

6 POWER SWITCH [POWER]

➔Push to turns the power ON and OFF.

- The following functions are available at power ON as options:
 - Automatic scan start
 - Password prompt
 - Set mode

7 MICROPHONE CONNECTOR

➔Connect the supplied microphone or optional DTMF microphone for SmarTrunk II™ operation here.

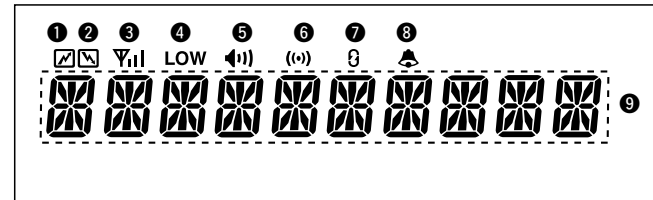
/// **NEVER** connect non-specified microphones. The pin assignments may be different and the transceiver may be damaged.

MICROPHONE

➔The supplied microphone has a PTT switch and a hanger hook.

- The following functions are available when the microphone is on or off hook:
 - Automatic scan start when hung on.
 - Automatic priority channel selection when hung off.
 - Sets to 'Inaudible' condition (mute condition) when hung on.
 - Sets to 'Audible' condition (un-mute condition) when hung off.

Function display



1 TRANSMIT INDICATOR

➔Appears while transmitting or sending a 5-tone code.

2 BUSY INDICATOR

➔Appears while the channel is in busy.

3 SIGNAL STRENGTH METER

➔Indicates relative signal strength level.

4 LOW POWER INDICATOR

➔Appears when low output power is selected.

5 AUDIBLE INDICATOR

➔Appears when the channel is in the 'Audible' condition (unmute condition).

6 COMPANDER INDICATOR

➔Appears when compander function is activated.

1 PANEL DESCRIPTION

⑦ SCRAMBLER INDICATOR

➔Appears when scrambler function is activated. (Optional UT-109 (#02)/UT110 (#02) SCRAMBLER UNIT is required.)

⑧ 2/5TONE INDICATOR

➔Appears when specified 2/5tone call is received.

⑨ ALPHANUMERIC DISPLAY

➔Displays the CH number, 5-tone indication, DTMF numbers, Audible indication, etc.

■ Programmable function keys

The following functions can be assigned to [P0], [P1], [P2], [P3], [P4], [▲], [▼], [^] and [v] programmable function keys.

Consult your Icom Dealer or System operator for details concerning your transceivers programming.

In the following explanations, programmable function names are bracketed, the specific switch used to activate the function depends on programming.

[CH UP] **CH UP AND DOWN KEYS**

- [CH DN]
- Select an operating channel.
 - Select a transmit code channel after pushing the [TX CH] key.
 - Select a DTMF channel after pushing the [DTMF] key.
 - Select a scan group while pushing and holding the [SCAN] key.

[CH1] **OPERATING CHANNEL KEYS**

[CH2] Select an operating channel directly.

[CH3]

[CH4]


[PRI A] **PRIORITY CHANNEL KEYS**

[PRI B] Select priority A or priority B channel with each push.

[BANK] BANK KEY
 Select and determine a bank number.

- When the optional UT-105 is installed, push **[BANK]** then push **[CH UP]/[CH DN]** to select operating bank number, and then push **[BANK]** to determine the bank number.

[SCAN A] SCAN START/STOP KEY
[SCAN B] Push this key to start scanning; and push again to stop.

 **NOTE:** Place the microphone on hook to start scanning.
 Take the microphone off hook to stop scanning.

Push and hold this key to indicate the scan group, then push to select the desired group.


[TAG] SCAN TAG KEY
 Adds or deletes the selected channel to the scan group.

[LOCK] LOCK KEY
 Electronically locks all programmable keys except the following:

- **[CALL]** (incl. **[CAL A]** and **[CAL B]**), **[MONI]** and **[EMER]** keys.

[MONI] MONITOR KEY
 Activates one of (or two of) the following functions on each channel independently:

- Push and hold the key to unmute the channel (audio is emitted; 'Audible' condition).
- Push the key to toggle the mute and unmute conditions (toggles 'Audible' and 'Inaudible').
- Push the key to mute the channel (sets to 'Inaudible' only).
- Push the key to unmute the channel (sets to 'Audible' only).
- Push the key after the communication is finished to send a 'reset code'.

 **NOTE:** The unmute condition ('Audible' condition) may automatically return to the mute condition ('Inaudible' condition) after a specified period.

[W/N] WIDE/NARROW KEY
 Push **[W/N]** to toggle bandwidth between wide or narrow.

[H/L] OUTPUT POWER SELECTION KEYS
 Select the transmit output power temporarily or permanently depending on the pre-setting.

- Ask your Dealer or System Operator for the output power level for each selection.

1 PANEL DESCRIPTION

[T A] **TALK AROUND KEY**

Turns the talk around function ON and OFF.

- The talk around function equalises the transmit frequency to the receive frequency for mobile-to-mobile communication.

[CALL] **CALL KEYS**

[CAL A] Transmit a 5-tone code.

- [CAL B]
- Call transmission is necessary before you call another station depending on your signaling system.
 - The [CAL A] and/or [CAL B] keys may be available when your system employs selective 'Individual/Group' calls. Ask your Dealer which call is assigned to each key.

[EMER] **EMERGENCY KEY**

Push and hold the key to transmit an emergency call.

- If you want to cancel the emergency call, push (or push and hold) the key again before transmitting the call.
- The emergency call is transmitted one time only or repeatedly until receiving a control code depending on the pre-setting.

[TX CH] **TX CODE KEY**

Select a transmit 5-tone code (station code) channel.

[CODE] **TX CODE CHANNEL UP/DOWN KEY**

Push to selects a TX code channel directory.

[DTMF] **DTMF CHANNEL SELECT KEY**

Push this key to select a DTMF channel.

- Push this key, then select the desired DTMF channel using the [^]/[v] keys.
- Push the key to transmit the selected DTMF code.

[TONE] **C. TONE CHANNEL ENTER KEY**

Push this key then input a continuous tone memory channel number using [^]/[v] keys to change the tone frequency.

[ID MR] ID MEMORY READ KEY
 Recalls detected ID codes.
 • Push this key, then push [▲]/[▼] for selection.
 • Up to 5 ID's are memorized.
 Push and hold this key to erase all memorized IDs.

[GRP] TRUNKING GROUP KEY
 Push to select the Trunking group.

[COMP] MIC COMPANDER KEY
 Push to toggle the mic compander function ON or OFF.

[SET] USER SET MODE KEY
 Changes the contents of the items in the User Set mode.
 • Push and hold [SET] for 1 sec. to enter set mode, push [SET] momentarily to select the item. Push [▲] and [▼] to set the desired level/condition.
 Push and hold [SET] again to exit set mode.
 • User set mode also available via the 'Power ON function'. Please refer p. 10 also.

[SCRM] SCRAMBLER KEY
 • Push and hold to turn the voice scrambler function ON.
 • Push to turn the voice scrambler function OFF.

NOTE:
 • Optional UT-109 (#02) or UT-110 (#02) VOICE SCRAMBLER UNIT is required.
 -UT-109: Non-rolling type. 32 codes are available.
 -UT-110: Rolling type. Provides higher communication security. 1020 (4 groups × 255) codes are available.
 • This transceiver requires version #02 unit, do not install version #01, as they are not compatible.
 • UT-109 and UT-110 require some PC board modifications. Please refer '■ Optional UT-109/UT-110 installation'. (p.17)
 • Please contact your Dealer for details.

■ Turning power ON

- ① Push [POWER] to turn the power ON.
 - A power-up alert tone sounds for about 1 sec. and an opening message may appear.
- ② If the transceiver is programmed for a start up passcode, input digit codes as directed by your Dealer.
 - The keys in the table below can be used for password input:
 - The transceiver detects numbers in the same block as identical. Therefore “01234” and “56789” are the same.

KEY	[P0]	[P1]	[P2]	[P3]	[P4]
NUMBER	0	1	2	3	4
	5	6	7	8	9

- ③ When the “PASSWORD” indication does not clear after inputting 4 digits, the input code number may be incorrect. Turn power off and start over in this case.

■ Channel selection

Several types channel selections are available, methods may differ according to your system set up.

NON-BANK TYPE:

Push [CH UP]/[CH DN] to select the desired operating channel, in sequence; or, push one of the [CH 1] to [CH 4] to select a channel directly.

BANK-TYPE:

Push [BANK] to select the desired bank number.

AUTOMATIC SCAN TYPE:

Channel setting is not necessary for this type. When turning the power ON, the transceiver automatically starts scanning. Scanning stops when receiving a call or when taking the microphone off hook.

■ Receiving and transmitting

RECEIVING:

- ① Push [POWER] to turn the power ON.
- ② Push [CH UP] or [CH DN] to select a channel.
- ③ When receiving a call, adjust the audio output level to a comfortable listening level.

TRANSMITTING:

- ④ Take the microphone off hook.
 - 5-tone mute may be released (the 'audible' condition is selected and "☒" appears).
 - A priority channel may be selected automatically.
- ⑤ Wait for the channel to become clear.
 - The channel is busy when "☒" appears.
- ⑥ Push the [CALL] key when initiating a call from your side.
 - Coded audio may be heard from the transceiver, then "☒" appears.
 - This operation may not be necessary depending on your signaling system. Ask your Dealer.
- ⑦ While pushing and holding [PTT], speak into the microphone at your normal voice level.
- ⑧ Release [PTT] to receive.

IMPORTANT: To maximize the readability of your signal:

- (1) Pause briefly after pushing [PTT]
- (2) Hold the microphone 2 to 5 cm from your mouth, then speak into the microphone at a normal voice level.

◇ Transmitting notes

• Transmit inhibit function

The transceiver has several inhibit functions which restrict transmission under the following conditions:

- The channel is in mute condition ('Inaudible' condition; "☒") does not appear).
- Channel is busy.
- No matched (or matched) CTCSS is received.
- The selected channel is a 'receive only' channel.

• Time-out timer

After continuous transmission for a pre-programmed period, the time-out timer is activated causing the transceiver to stop transmitting and automatically select receive.

• Penalty timer

Once the time-out timer is activated, transmission is further inhibited for a period determined by the penalty timer.

2 OPERATION

◇ Tx code channel selection

If the transceiver has a **[TX CH]** key, display can be toggled between the operating channel number (or name) and Tx code channel number (or name). When the Tx code channel number (or name) is displayed, the **[CH UP]/[CH DN]** keys select the Tx code channel.

TO SELECT A TX CHANNEL:

- ① Push **[TX CH]** — a Tx code channel appears.
- ② Push **[CH UP]/[CH DN]** to select the desired Tx code channel.
- ③ Push **[CALL]** to transmit the selected Tx code.
- ④ Push **[TX CH]** again to return to the channel display.

◇ Tx code number selection

If the transceiver has a **[CODE]** key, Tx code contents can be changed within the allowable digits.

TO SELECT A TX CODE:

- ① Push **[CODE]** — a Tx code number appears and an allowable digit blinks.
- ② Push **[CH UP]/[CH DN]** to select the desired number at the blinking digit.
- ③ Push **[CODE]** to enter the selected number.
- ④ Repeat steps ② and ③ to input all allowed digits.
- ⑤ Push **[CALL]** to transmit the selected Tx code.

◇ DTMF transmission

If the transceiver has a **[DTMF]** key, the automatic DTMF transmission function is available. Up to 7 DTMF channels are available.

- ① Push **[DTMF]** — a DTMF code channel appears.
- ② Push **[CH UP]/[CH DN]** to select the desired DTMF channel.
- ③ Push and hold **[DTMF]** to transmit the selected DTMF.

◇ Scrambler function

UT-109 (#02) or UT-110 (#02) optional voice scrambler unit provides high performance private communication between stations with the same scrambler codes.

- ① Push and hold **[SCRM]** to turn the scrambler function ON.
- ② “0” appears.
- ③ Push **[SCRM]** to turn the function OFF.

◇ User set mode

User set mode is accessed at power ON and allows you to set seldom-changed settings. In this case you can “customize” transceiver operation to suit your preferences and operating style.

Entering the user set mode:

- ① While pushing and holding [▲] and [▼], push [POWER] to enter user set mode ON, allowing you to set seldom-changed settings.
- ② Push and hold [P0] to enter user set mode. Push [P0] momentarily to select the item.
Then push [▲] and [▼] to set the desired level/condition.
Available set mode functions:
 - Backlight :AUTO, DIM, OFF or ON
 - Beep :ON or OFF
 - Beep Level :1 to 5 or Link (links to audio output level)
 - SQL Level :0 to 255
 - AF Min level :0 to 255
 - Audio Filter :3000, 3400, 0 or 300
 - Mic Gain :1 to 5
- ③ Push [POWER] (or push and hold [P0]) again to exit set mode.


User set mode also available via the programmable key.
Please refer p. 6 [SET] section.

■ SmarTrunk II™ and conventional modes

This transceiver is capable of SmarTrunk II™ functions.

The optional UT-105 allows communication in conventional channels or SmarTrunk II™ channels. Select a channel bank for SmarTrunk II™ before trunking operation.

- Push [**BANK**] several times to select a channel bank for conventional channels or SmarTrunk II™ channels.
 - Scanning starts when a channel bank for SmarTrunk II™ operation is selected.
 - Contact your Dealer for channel bank details.

 **NOTE:** Optional DTMF microphone is required. Contact your Dealer for details.

■ SmarTrunk II™ operation

These features are enabled by a Dealer and may not be available in your system. Contact your Dealer for details.

◇ Placing a telephone call

Enter the phone number followed by [1], [*].

- A high-pitched beep indicates that the number is accepted.
- When the called party answers, push the [PTT] switch to talk, and release it to listen.

◇ Calling another local system subscriber

Enter the subscriber number followed by [3], [*].

- A high-pitched beep indicates that the number is accepted.
- You hear ringing, then two short beeps when the subscriber answers.
- If the other subscriber is on another call or out of range, you hear a fast busy signal and the call terminates automatically.

◇ Receiving a call

When you hear ringing, push [*] to answer.

- For a group call, you hear a short ring followed by two short beeps. You do not have to answer a group call to hear it over the air.

◇ Terminating a call

After completing a call, push [#] to disconnect (hang up).

IMPORTANT: If one person in the conversation terminates a call, all participants will be cut off.

◇ Last number re-dial

Push [*] 2 times to automatically re-dial the last called number.

- A high-pitched beep indicates that the number is accepted.

◇ Memory speed-dialling

To automatically dial a commonly used number from memory:

- Push [*] followed by the memory location (0–9).

◇ Turbo SpeedDial

To automatically dial a commonly used number with one push:

- Push one of the turbo SpeedDials ([A], [B], [C] or [D]).

◇ Programming memory speed dial

- ① Push and hold [*] until you hear a high-pitched beep.
- ② Enter the memory location (0–9, A, B, C, D), the telephone or subscriber number, then [1], [*] (or [3], [*] if for another system subscriber).
 - A high-pitched beep indicates successful programming.
 - Memories [A]–[D] are used for the Turbo SpeedDial.

◇ System busy indication

If all channels are busy, three low beeps sound after you initiate a call. Try the call again later.

◇ PTT dispatch operation

- ① Push [PTT] once (without dialling) to initiate a dispatch call.
- ② Begin talking after you hear three beeps (one short, high-pitched, two very-short, low-pitched).
- ③ Receiving a dispatch call is indicated by the same three-beep sequence.
 - It is not necessary to push [*] to answer a dispatch call.

◇ Emergency call

Push [0], [*] to initiate an emergency call.

- Contact your dealer for details.

◇ Clear channel alerting

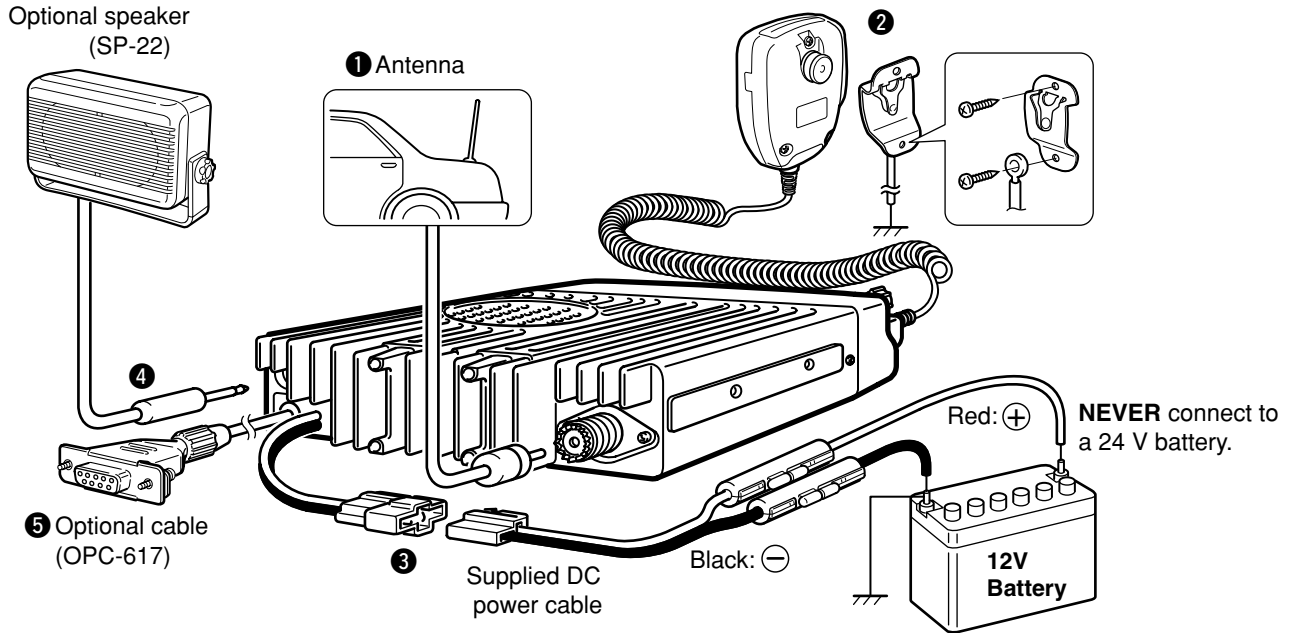
If all channels are busy, the transceiver automatically begins searching for an open channel and beeps every ten seconds. When two short beeps (low-pitched, then high-pitched) are heard, a channel is available. Push [*], [*] immediately to re-dial the last number.

NOTE: For additional operating instructions, contact your Dealer or System Operator.

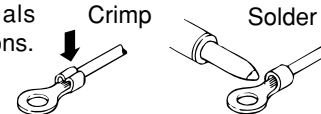
4

CONNECTION AND MAINTENANCE

■ Rear panel and connection



Note: Use the terminals for the cable connections.



1 ANTENNA CONNECTOR

Connects to an antenna. Ask your Dealer about antenna selection and placement.

2 MICROPHONE HANGER

Connect the supplied microphone hanger to the vehicle's ground for microphone on/off hook functions. (See p. 2)

3 DC POWER RECEPTACLE

Connects to a **12 V DC** battery. Pay attention to polarities. **NEVER** connect to a **24 V** battery. This could damage the transceiver.

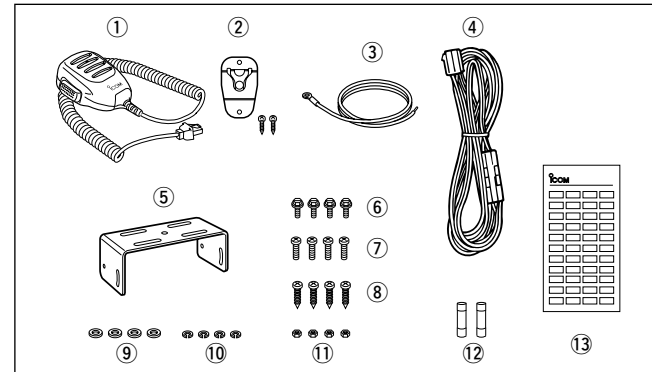
4 EXTERNAL SPEAKER JACK

Connect a 4–8 Ω external speaker, if desired.

5 OPTIONAL CABLE (OPC-617)

Connect an external modem unit, LCD backlight control, etc.

Supplied Accessories



- ① Microphone 1
- ② Microphone hanger and screw set 1 set
- ③ Microphone hanger cable . 1
- ④ DC power cable1
IC-F510/F610: OPC-345
- ⑤ Mounting bracket 1
- ⑥ Bracket bolts 4
- ⑦ Mounting screws (M5×12) . 4
- ⑧ Self-tapping screws (M5×20) 4
- ⑨ Flat washers 4
- ⑩ Spring washers 4
- ⑪ Nuts 4
- ⑫ Fuses 2
IC-F510/F610: 15 A
- ⑬ Function name stickers* (1705 LCD SEAL(D))1

***Function name stickers**

There are no names on the programmable function keys since the needed functions can be assigned to these keys. Attach the supplied function name stickers above the appropriate keys.

4 CONNECTION AND MAINTENANCE

■ Mounting the transceiver

The front panel can be inverted for correct viewing while leaving the built-in speaker facing away from the mounting surface.

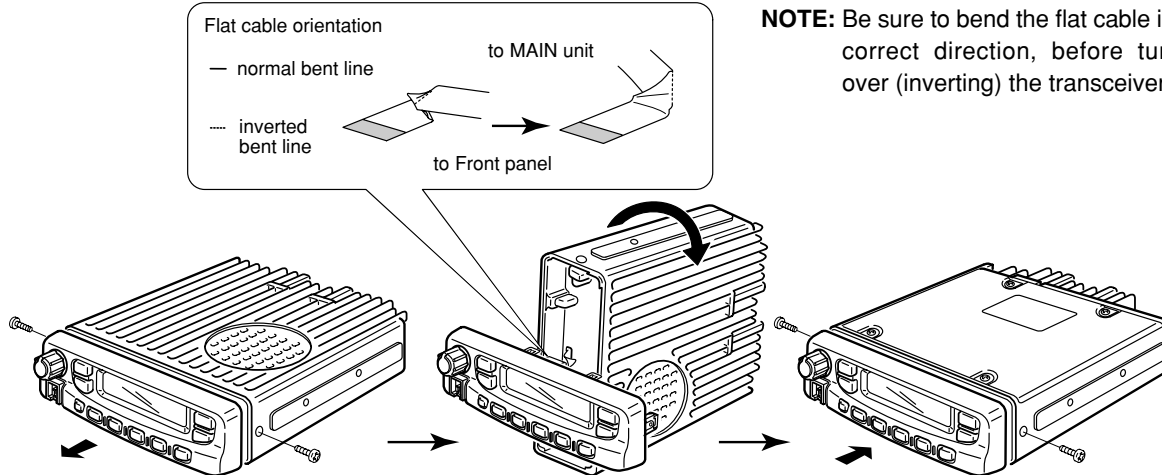
◇ Inverting the Front panel

- ① Unscrew the 2-side screws.
- ② Detach the Front panel forward from the transceiver.
- ③ Bent the flat cable between Front panel and main unit as shown in the following diagram.

- ④ Invert the transceiver 180 degrees clockwise as below.
- ⑤ Re-attach the Front panel to the transceiver.
- ⑥ Tighten the 2 screws.

CAUTION:

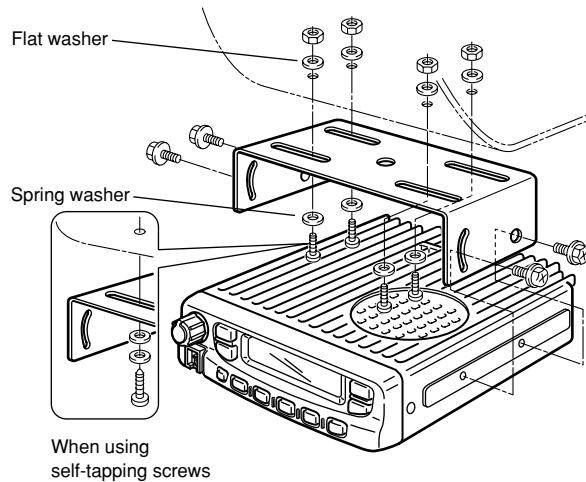
- **NEVER** rotate the transceiver more than 180 degrees.
- **DO NOT** bent the flat cable too much. Damage may occur.



◇ Mounting the transceiver

The universal mounting bracket supplied with your transceiver allows overhead mounting.

- Mount the transceiver securely with the 4 supplied screws to a thick surface which can support more than 1.5 kg.

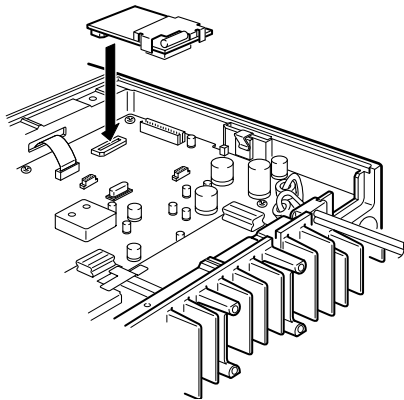


4 CONNECTION AND MAINTENANCE

■ Optional UT-105 and UT-108 installation

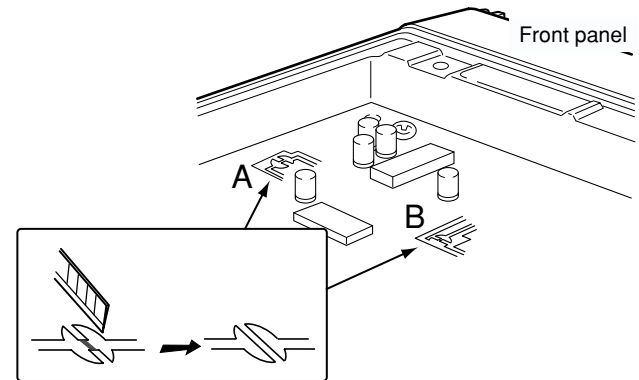
The optional UT-105 and UT-108 units install as follows:

- ① Turn power OFF, then disconnect the DC power cable.
- ② Unscrew the 4 screws, then remove the bottom cover.
- ③ Install the unit as shown in the diagram below.
- ④ Replace the bottom cover and screws, then the DC power cable.

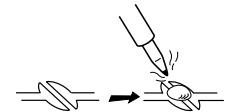


■ Optional UT-109 /UT-110 installation

- ① Turn power OFF, then disconnect the DC power cable.
- ② Unscrew the 4 screws, then remove the bottom cover.
- ③ Cut the print pattern on the PCB at the TX mic circuit (A) and RX AF circuit (B) as shown in the following figure.
- ④ Install the scrambler unit as shown in the left.
- ⑤ Return the bottom cover and screws to the original position.

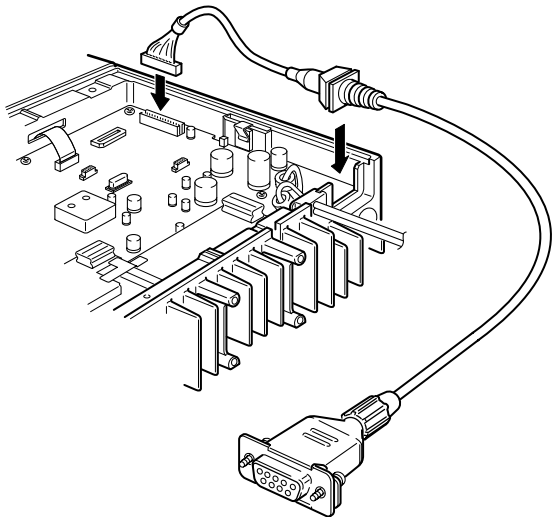


NOTE: Be sure to re-solder above disconnected points, otherwise no TX modulation or AF output is available when you remove the scrambler units.

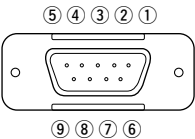


Optional OPC-617 installation

Install the OPC-617 as shown below.



OPTIONAL CABLE PIN ASSIGNMENT



- ① LCD backlit cont. IN
- ② AF OUT
- ③ Det. AF OUT
- ④ Mod. IN
- ⑤ PTT control IN
- ⑥ Horn drive cont. OUT
- ⑦ AF GND
- ⑧ Det. AF GND
- ⑨ Mod. GND

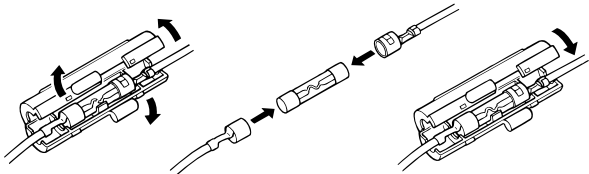
Antenna

A key element in the performance of any communication system is an antenna. Ask your Dealer about antennas and the best places to mount them.

Fuse replacement

Two fuses are installed in the supplied DC power cable. If a fuse blows or the transceiver stops functioning, track down the source of the problem, if possible, and replace the damaged fuse with a new rated one.

□ Fuse rating IC-F510/F610: 15 A



Cleaning

If the transceiver becomes dusty or dirty, wipe it clean with a dry, soft cloth.



AVOID the use of solvents such as benzene or alcohol, as they may damage transceiver surfaces.

SP-22 EXTERNAL SPEAKER

Compact and easy-to-install.

Input impedance: 4 Ω

Max. input power: 5 W

HM-152/HM-152T/HM-148 HAND MICROPHONE

- HM-152 : Hand microphone. The same as that supplied with the transceiver.
- HM-152T : DTMF microphone
- HM-148 : Heavy duty microphone

SM-25

Desktop microphone.

UT-105 SmarTrunk II™ Logic Board

Provides SmarTrunk II™ capabilities.

UT-108 DTMF DECODER UNIT

Provides pager and code squelch capabilities.



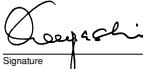
UT-109/UT-110 (#02) VOICE SCRAMBLER UNIT




- UT-109 : Non-rolling type (max. 32 codes)
- UT-110 : Rolling type (max. 1020 codes)


OPC-617 ACC CABLE

Allows you to connect to an external terminal.

Some options may not be available in some countries. Please ask your dealer for details.

	DECLARATION OF CONFORMITY
<p>We Icom Inc. Japan 1-1-32, Kamiminami, Hirano-ku Osaka 547-0003, Japan</p>	
	
<u>Düsseldorf 10 Apr. 2002</u> Place and date of issue	
<p>Declare on our sole responsibility that this equipment complies with the essential requirements of the Radio and Telecommunications Terminal Equipment Directive, 1999/5/EC, and that any applicable Essential Test Suite measurements have been performed.</p>	
<p>Kind of equipment: <u>UHF TRANSCEIVER</u></p>	
<p>Type-designation: <u>IC-F610</u></p>	
<p>440—490 MHz 12.5 KHz/ 25 KHz 440—490 MHz 12.5 KHz/ 20 KHz 400—430 MHz 12.5 KHz/ 25 KHz</p>	
<p>Version (where applicable):</p>	
<p>This compliance is based on conformity with the following harmonised standards, specifications or documents:</p>	
<p>i) EN 300 219 (February 1999) ii) EN 60950 August 1992, A11 1997 iii) EN 300 086 (March 2001) iv) EN 300 219 (March 2001) v) EN 300 113 (March 2001)</p>	
<p>Icom (Europe) GmbH Himmelgeister straÙe 100 D-40225 Düsseldorf Authorized representative name</p>	
<p>T. Maebayashi General Manager</p>	
 Signature	
<p>Icom Inc.</p>	

	DECLARATION OF CONFORMITY
<p>We Icom Inc. Japan 1-1-32, Kamiminami, Hirano-ku Osaka 547-0003, Japan</p>	
	
<u>Düsseldorf 15 Feb. 2002</u> Place and date of issue	
<p>Declare on our sole responsibility that this equipment complies with the essential requirements of the Radio and Telecommunications Terminal Equipment Directive, 1999/5/EC, and that any applicable Essential Test Suite measurements have been performed.</p>	
<p>Kind of equipment: <u>VHF TRANSCEIVER</u></p>	
<p>Type-designation: <u>IC-F510</u></p>	
<p>136-174 MHz 12.5 KHz/ 25 KHz 136-174 MHz 12.5 KHz/ 20 KHz</p>	
<p>Version (where applicable):</p>	
<p>This compliance is based on conformity with the following harmonised standards, specifications or documents:</p>	
<p>i) EN 301 488-1 v1.2.1 (2000-8) ii) EN 301 488-5 v1.2.1 (2000-8) iii) EN 60950 August 1992, A11 1997 iv) EN 300 086-2 v1.1.1 (March 2001) v) EN 300 219 (March 2001) vi) EN 300 113-2 v1.1.1 (March 2001)</p>	
<p>Icom (Europe) GmbH Himmelgeister straÙe 100 D-40225 Düsseldorf Authorized representative name</p>	
<p>T. Maebayashi General Manager</p>	
 Signature	
<p>Icom Inc.</p>	

 CE Versions of the IC-F510/F610 which display the “CE” symbol on the serial number seal, comply with the essential requirements of the European Radio and Telecommunication Terminal Directive 1999/5/EC.



This warning symbol indicates that this equipment operates in non-harmonised frequency bands and/or may be subject to licensing conditions in the country of use. Be sure to check that you have the correct version of this radio or the correct programming of this radio, to comply with national licensing requirement.

Count on us!

< Intended Country of Use >

- | | | | |
|------------------------------|------------------------------|------------------------------|------------------------------|
| <input type="checkbox"/> GER | <input type="checkbox"/> FRA | <input type="checkbox"/> ESP | <input type="checkbox"/> SWE |
| <input type="checkbox"/> AUT | <input type="checkbox"/> NED | <input type="checkbox"/> POR | <input type="checkbox"/> DEN |
| <input type="checkbox"/> GBR | <input type="checkbox"/> BEL | <input type="checkbox"/> ITA | <input type="checkbox"/> FIN |
| <input type="checkbox"/> IRL | <input type="checkbox"/> LUX | <input type="checkbox"/> GRE | <input type="checkbox"/> SUI |